

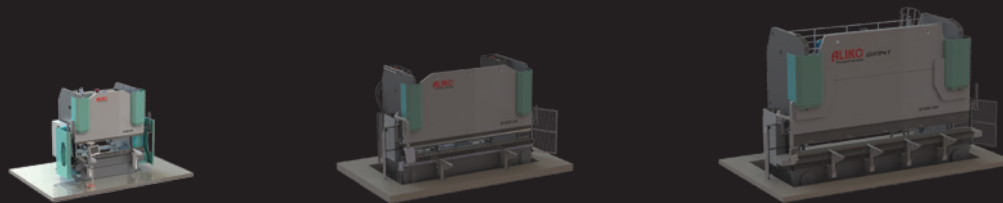


**ALIKO**  
Press brakes from Finland

# F-SERIES

The smallest member of the Aliko press brake family with 3000-4200 mm bending length and 220-500 tons bending force has floor standing solution. This F-series machine guarantees the highest quality with a very competitive price level, always delivered assembled and installation takes one day only.

A wide range of press brake accessories is available enabling Aliko to design a machine solution to meet the customer's needs exactly. It is also possible to produce all Aliko press brakes in tandem version.



F-series 220-500 tn

Heavy Duty 500-750 tn

Giant 1000-4000 tn

Pressing force

## HYDRAULIC SYSTEM

In Finland designed and high quality components assembled hydraulic system is efficient and trouble-free

## LIGHTNING SYSTEM

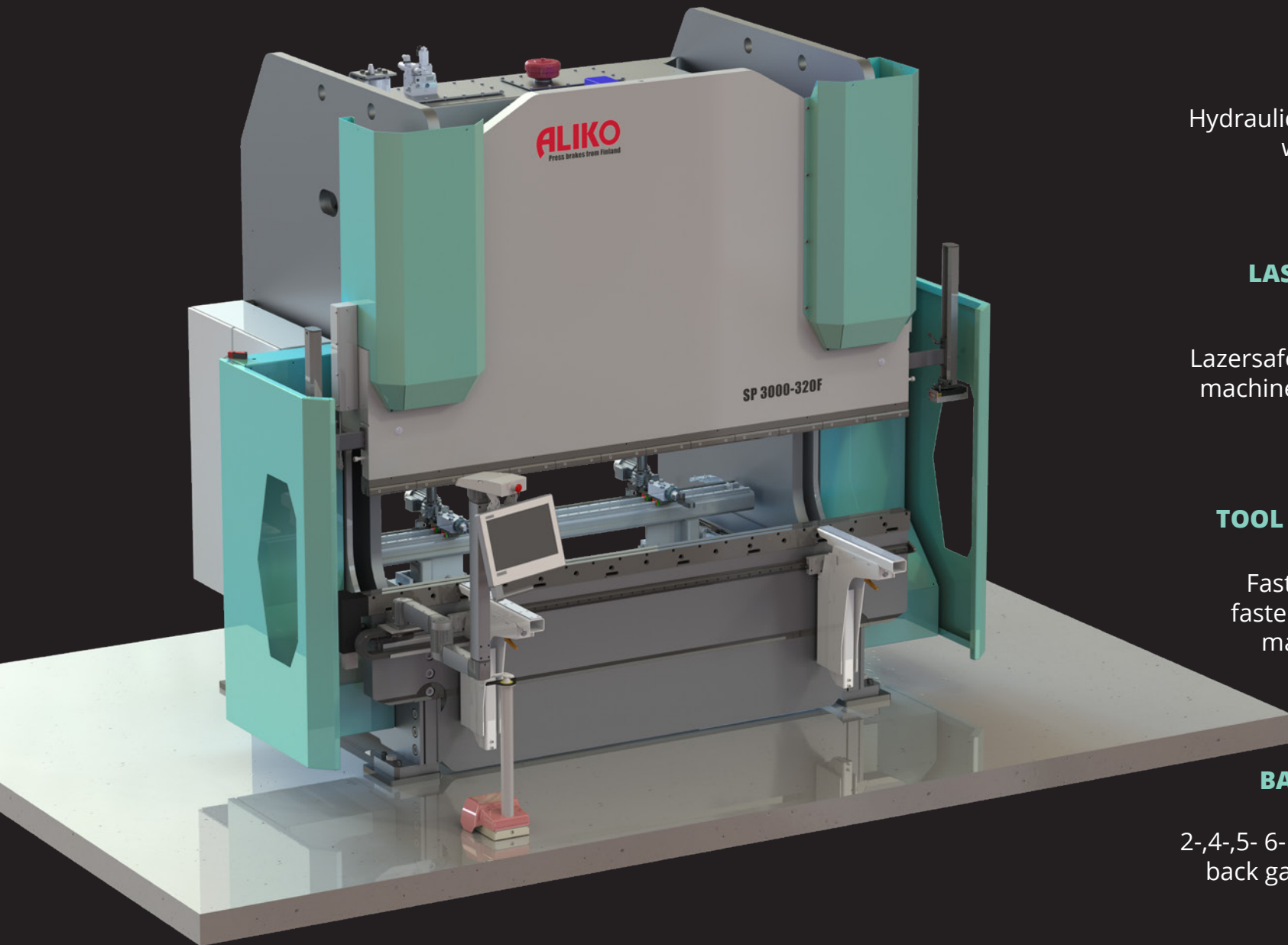
Modern LED lightning system installed on the back and front side of machine

## CONTROL SYSTEM

The powerful Cybelec Visitouch 19 control makes operator's work easier

## FRAME DEFLECTION COMPENSATION

Real time measuring system between upper and lower beam



### **ECO MODE**

Hydraulic system uses power only when it is needed

### **LASER SAFETYSYSTEM**

Lazersafe safety system increases machine productivity and safety

### **TOOL FASTENING SYSTEMS**

Fast and long-living tool fastening solutions ensure machine productivity

### **BACK GAUGE SYSTEM**

2-,4-,5- 6- or 9-axis high performance back gauge systems are fast and accurate

### **CNC CROWNING**

For each machine size optimized high precision crowning quarantees excellent bending quality

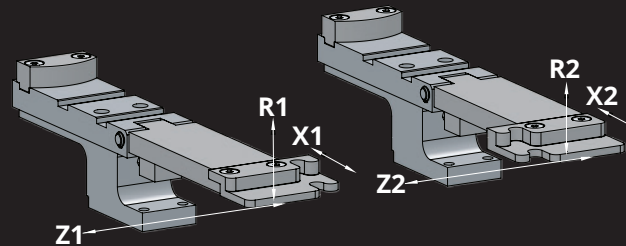
### **FRONT SUPPORTS**

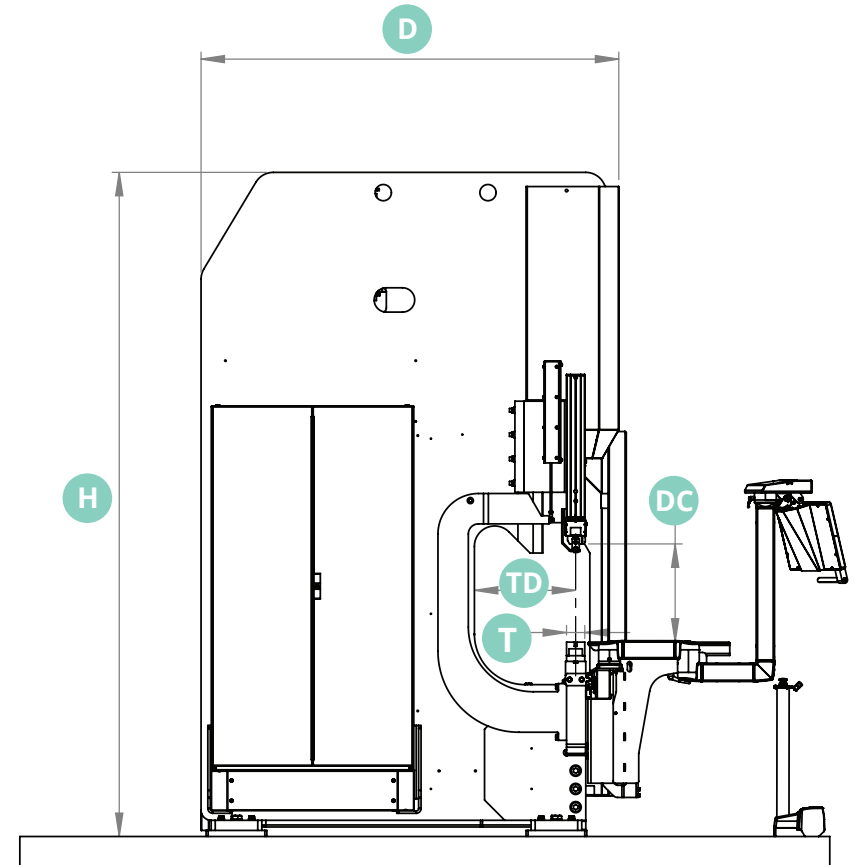
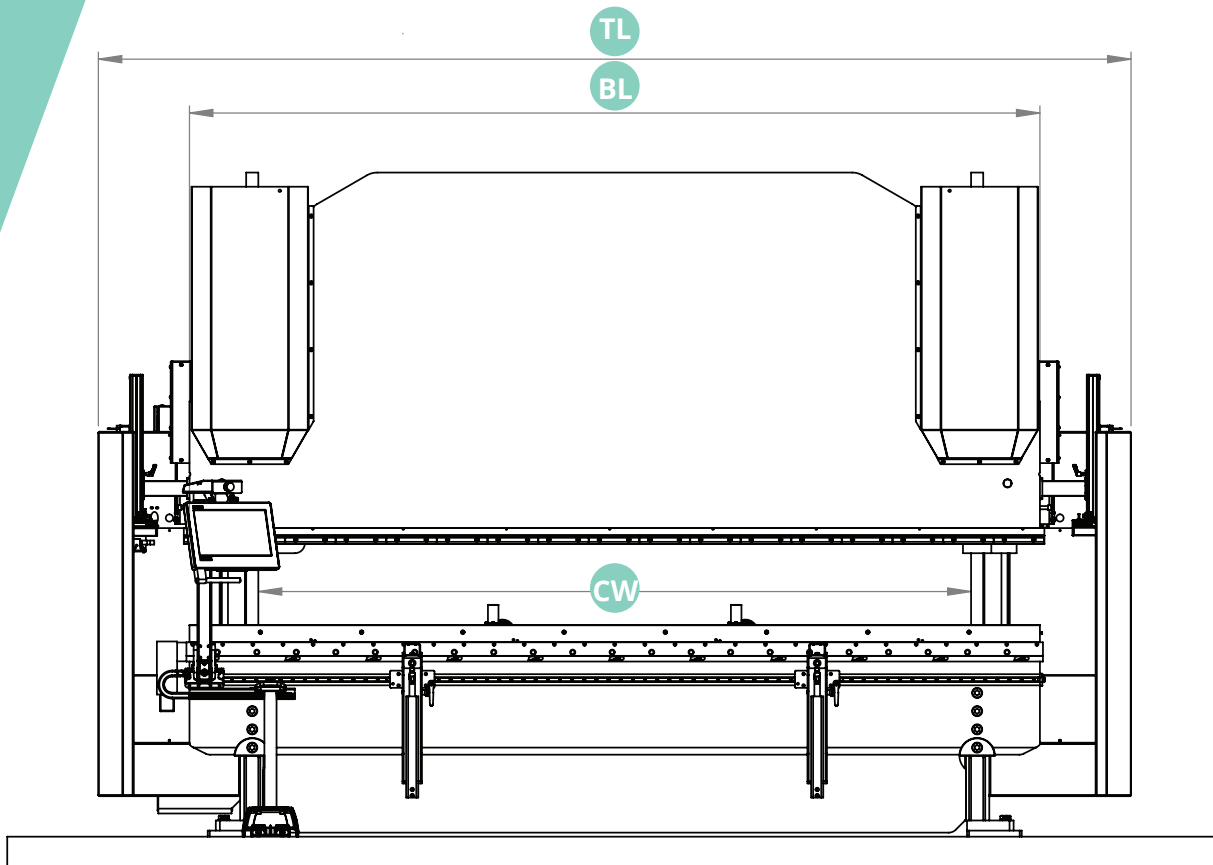
Fast adjustable standard front supports or fully automatic sheet followers

# TECHNICAL SPECIFICATION - F-SERIES

	SP3000-220F	SP3000-320F	SP3000-400F	SP3000-500F	SP4200-220F	SP4200-320F	SP4200-400F	
Pressing force	2200	3200	4000	5000	2200	3200	4000	kN
Bending length	<b>BL</b> 3000	3000	3000	3000	4200	4200	4200	mm
Total length	<b>TL</b> 3900	3900	3940	3940	5100	5100	5140	mm
Width	<b>D</b> 2100	2100	2500	2500	2100	2100	2500	mm
Height	<b>H</b> 3300	3300	3900	3900	3300	3300	3900	mm
Distance between side frames	<b>CW</b> 2320	2320	2320	2320	3520	3520	3520	mm
Stroke	250/400	250/400	300/600	300/600	250/400	250/400	300/600	mm
Open height	<b>DC</b> 485/600	485/600	600/900	600/900	485/600	485/600	600/900	mm
Throat depth	<b>TD</b> 500	500	500	500	500	500	500	mm
Table width	<b>T</b> 95/300	95/300	95/300	95/300	95/300	95/300	95/300	mm
Y-axis accuracy	0,01	0,01	0,01	0,01	0,01	0,01	0,01	mm
Y-axis speed, max	120	120	120	120	120	120	120	mm/s
Y-axis working speed, max	1-10	1-10	1-10	1-10	1-10	1-10	1-10	mm/s
Y-axis return speed, max	110	110	100	100	110	110	100	mm/s
Oil capacity	400	400	400	400	400	400	400	l
Weight	13	15	22	23	14	16	28	tn
Main motor power	15	15	30	30	15	15	30	kW
Side frame underfloor	0	0	0	0	0	0	0	mm
Lower beam underfloor	0	0	0	0	0	0	0	mm

Back gauge	2-axis	4-axis	5-axis	6- or 9-axis	
X-axis travel	1000	1000	800	1000	mm
X1-axis travel	0	0	+/- 200	1000	mm
X-axis positioning, max	1100	1100	850	1500	mm
X-axis speed, max	750	750	750	550	mm/s
X-axis accuracy	0,05	0,05	0,05	0,05	mm
R-axis travel	300	300	300	300	mm
R-axis speed, max	200	200	200	200	mm/s
R-axis accuracy	0,1	0,1	0,1	0,1	mm
Z-axis speed, max	0	650	650	650	mm/s
Z-axis accuracy	0,5	0,5	0,5	0,2	mm/s





Bending length	<b>BL</b>	F-Series 3000-4200 mm	Heavy Duty 4200-10 000 mm	Giant 4200-14 000 mm
Pressing force		F-Series 220-500 tn	Heavy Duty 500-750 tn	Giant 1000-4000 tn
Stroke		F-Series 250-400 mm	Heavy Duty 300-600 mm	Giant 500-600 mm

**All technical specifications of Aliko press brakes can be modified according to customers needs.**



# ALIKO

Press brakes from Finland

## CONTACTS

### ALIKO OY LTD

Yrittäjänkulma 5  
33710 Tampere - Finland

+358 207 280 370  
info@aliko.fi

High quality Finnish press brakes for more demanding taste since 1978

[www.aliko.fi](http://www.aliko.fi)